

# “Gaston” Table

## Materials:

2x2' Sheet of  $\frac{3}{4}$ " Plywood

2x4" Lumber

(4) 10" For Bracing

(2) 20" For Frame

(2) 17" For Frame

4x4" Lumber

(4) 22" For Legs

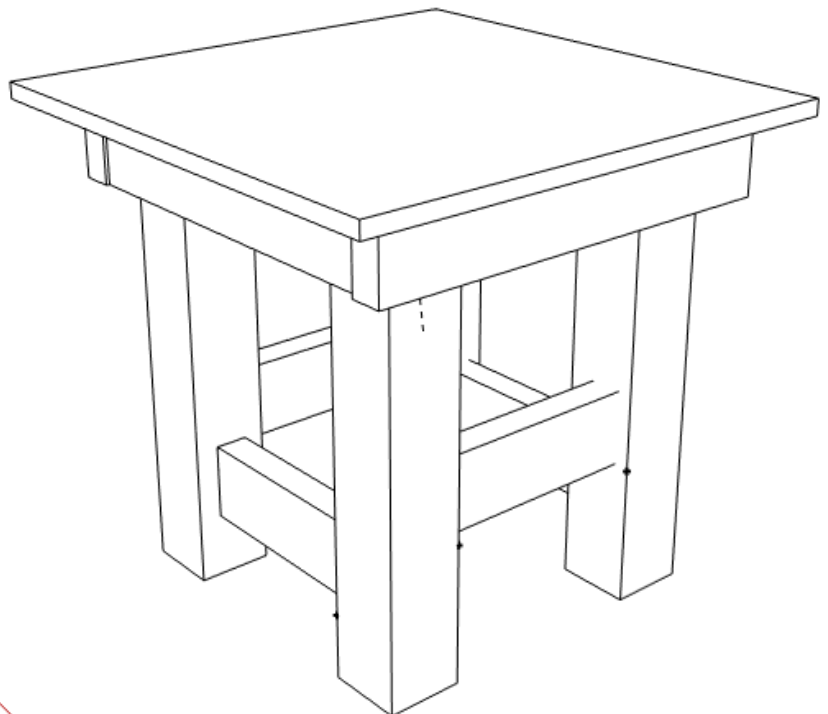
Screws (Two sizes)

Black Sharpie

All-in-one stain/polyurethane

Sponges and brushes (disposable)

Dropcloths



# “Gaston” Table

## Materials:

2x2' Sheet of  $\frac{3}{4}$ " Plywood

2x4" Lumber

(4) \_\_\_" For Bracing

(2) \_\_\_" For Frame

(2) \_\_\_" For Frame

4x4" Lumber

(4) \_\_\_" For Legs

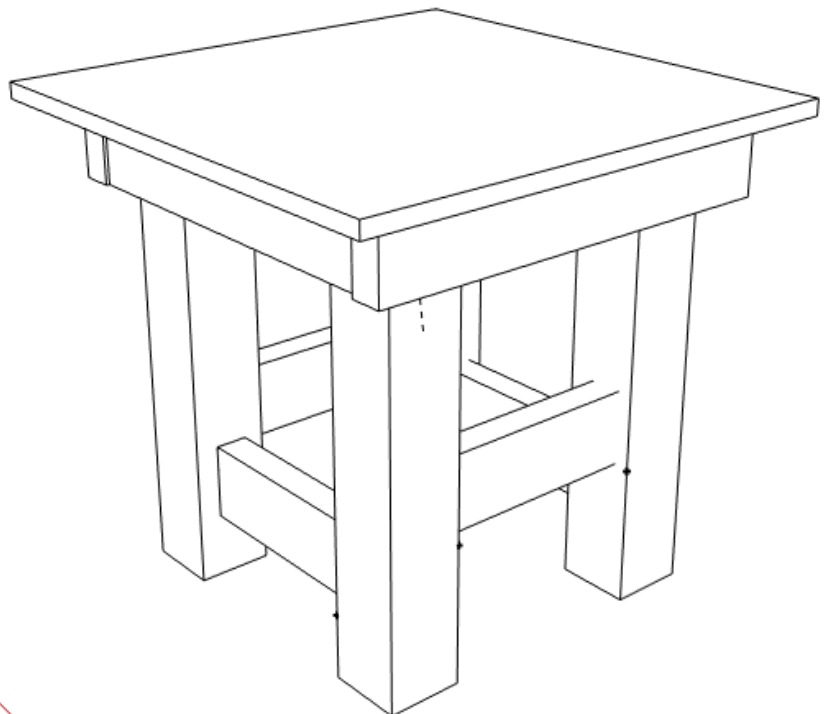
Screws (Two sizes)

Black Sharpie

All-in-one stain/polyurethane

Sponges and brushes (disposable)

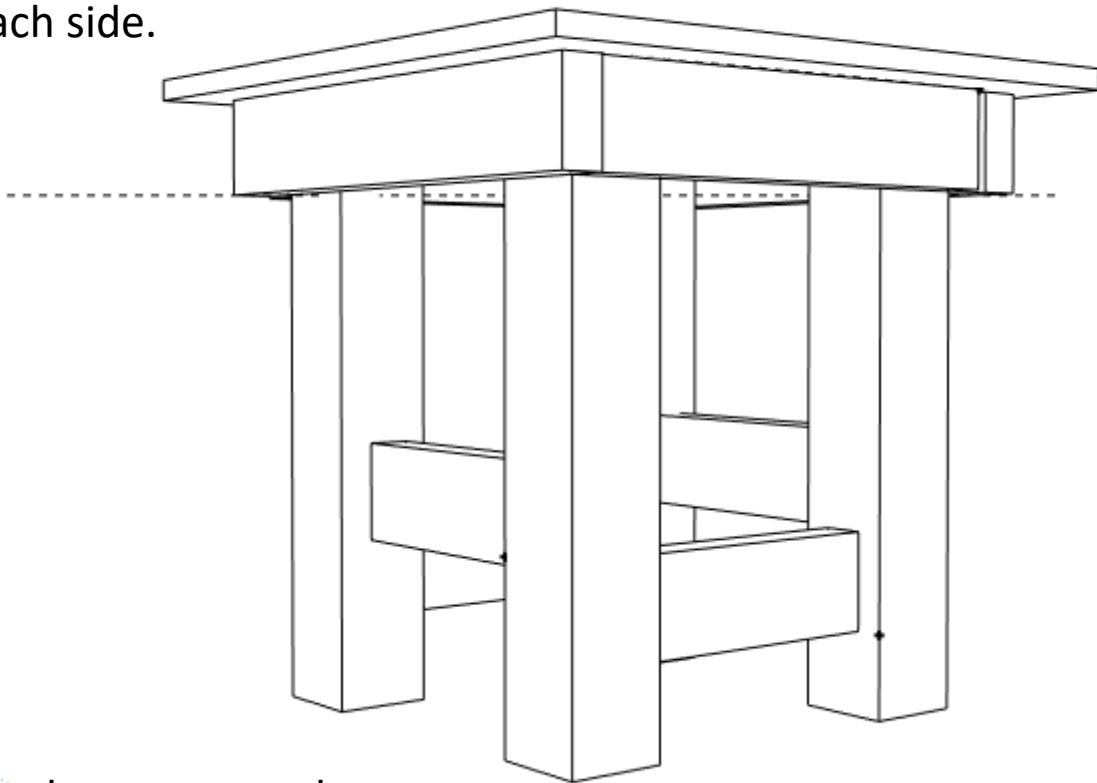
Dropcloths



# You do the math!

The 24" Tabletop overhangs the frame by 2" on each side.

2x4s are actually 1.5"x 3.5"  
4x4s similarly shave a half inch each way in drying and shaping.



The bottom-most braces are 3" off the floor. The perpendicular row of braces begins at the top edge of the bottom braces.

The total height of the table is  $22 \frac{3}{4}$ "